

## Two-Way Linear Actuator Connectors

Aluminum, Multi Part Assembly, for Two-Axis System

### SPECIFICATION

#### Identification no.

No. **2**: With 4 stainless steel socket cap screws DIN 912

Aluminum

Powder coated

Black, RAL 9005, textured finish **S**

Socket cap screws DIN 912

Stainless steel AISI 304

Hex nuts DIN 985

Stainless steel AISI 304

Self-locking via polyamide ring

### INFORMATION

Two-way linear actuator connectors GN 134.2 are based on two-way connector clamps. The additionally provided mounting holes are used to connect to the drive key of a linear actuator.

The mounting holes  $d_3$  for the drive key are always located in the bore  $d_1$  or the square  $s_1$  in the one-axis system. Centering bushings in the through-hole eliminate the axial clearance. The width of the  $s_1$  square is dimensionally aligned with the play of the square linear actuators.

For quick clamping without tools, the socket cap screws can be replaced by the adjustable hand levers GN 911 (see page 1874) listed in the table as accessories.

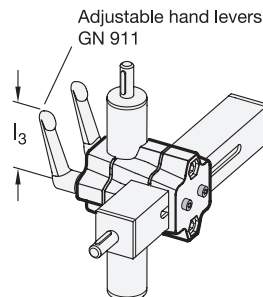
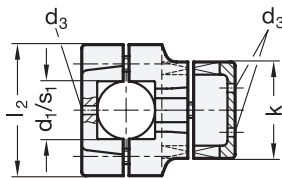
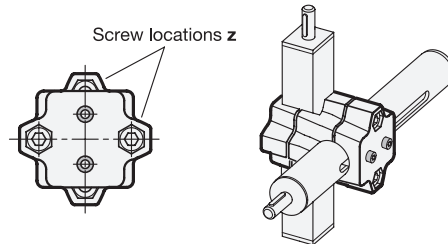
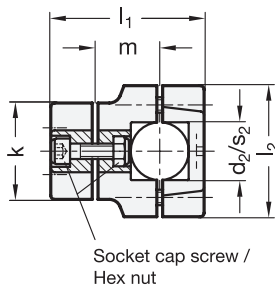
### ACCESSORY

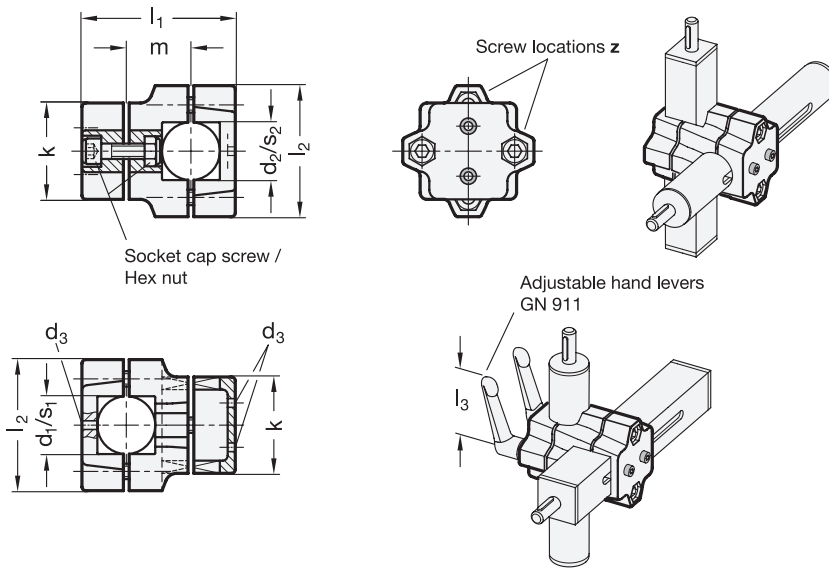
- Adjustable Hand Levers GN 911 (see page 1874)

### TECHNICAL INFORMATION

- Plastic Characteristics (see page A2)

- Stainless Steel Characteristics (see page A26)





GN 134.2

Description	d1	d2	s1	s2	k Clamping length	d3	l1	l2	m	z Screw locations	Accessory Recom. hand lever GN 911 for z I3	⚖
GN 134.2-B30-B30-50-2-S	B 30	B 30	-	-	50	M 4	79.5	68	33.5	M8-30	63   78	326
GN 134.2-B30-B30-60-2-S	B 30	B 30	-	-	60	M 4	109	79	50	M8-50	63   78	698
GN 134.2-B40-B40-60-2-S	B 40	B 40	-	-	60	M 5	109	79	50	M8-50	63   78	614
GN 134.2-B40-B40-76-2-S	B 40	B 40	-	-	76	M 5	125	98	55	M10-50	78   92	975
GN 134.2-B50-B50-76-2-S	B 50	B 50	-	-	76	M 6	125	98	55	M10-50	78   92	885
GN 134.2-B30-V30-50-2-S	B 30	-	-	V 30	50	M 4	79.5	68	33.5	M8-30	63   78	314
GN 134.2-B30-V30-60-2-S	B 30	-	-	V 30	60	M 4	109	79	50	M8-50	63   78	682
GN 134.2-B40-V40-60-2-S	B 40	-	-	V 40	60	M 5	109	79	50	M8-50	63   78	585
GN 134.2-B40-V40-76-2-S	B 40	-	-	V 40	76	M 5	125	98	55	M10-50	78   92	891
GN 134.2-B50-V50-76-2-S	B 50	-	-	V 50	76	M 6	125	98	55	M10-50	78   92	773
GN 134.2-V30-V30-50-2-S	-	-	V 30	V 30	50	M 4	79.5	68	33.5	M8-30	63   78	300
GN 134.2-V30-V30-60-2-S	-	-	V 30	V 30	60	M 4	109	79	50	M8-50	63   78	666
GN 134.2-V40-V40-60-2-S	-	-	V 40	V 40	60	M 5	109	79	50	M8-50	63   78	556
GN 134.2-V40-V40-76-2-S	-	-	V 40	V 40	76	M 5	125	98	55	M10-50	78   92	969
GN 134.2-V50-V50-76-2-S	-	-	V 50	V 50	76	M 6	125	98	55	M10-50	78   92	920

